



## HDMI 2.0 Active Optical Cable LHM2-NXXX

### Description

OPTICIS active optical HDMI 2.0 cable, LHM2-Nxxx is designed for critical display applications that demand flawless HDMI signal integrity and it provides transparent signal transmission over plenum graded, LSZH graded, or TPU hybrid cable.

LHM2-Nxxx enables to deliver 4K DCI (4096x2160) at 60Hz signal up to 100m (328ft). It avoids any scaling or data compression for lessening a burden of data transmission.

LHM2-N series give slim, light, easy installation like a general copper HDMI cable. It holds firmly distinctive performance advantage as it requires absolutely no external power to operate. It solely utilizes TX and RX of the cable to function without any additional setting requirements.

It passes CEC, EDID & HDCP (High Definition Contents Protection) for better installation flexibility and compatibility.

### Specification

- Extends 4K DCI (4096x2160) at 60Hz, (RGB & YCbCr : 4:4:4)
  - Transmits HDMI data up to 100m (328feet) over hybrid cable
  - Cable options available:
    - LHM2-NPxx : Plenum Jacket
    - LHM2-NLxx: LSZH Jacket
    - LHM2-NTxx:TPU Jacket
- \*Note: "xx" stands for the length of the cable.  
Ex: 10m of LHM2-NP → LHM2-NP10 ("A0" for 100m)

- Easy Plug & Play Feature
- Offers 500N pulling and crush load strength with bending radius of 6mm
- Supports 3D contents transmission
- Supports HDMI2.0 standards feature
- Complies with CEC, EDID, and HDCP 2.2
- Supports HDR at 10 bit or 12 bit speeds respectively within its maximum bandwidth, 18Gbps

### Applications

- Professional AV System Interconnection
- Digital Signage
- Home Theater
- Facility Automation System

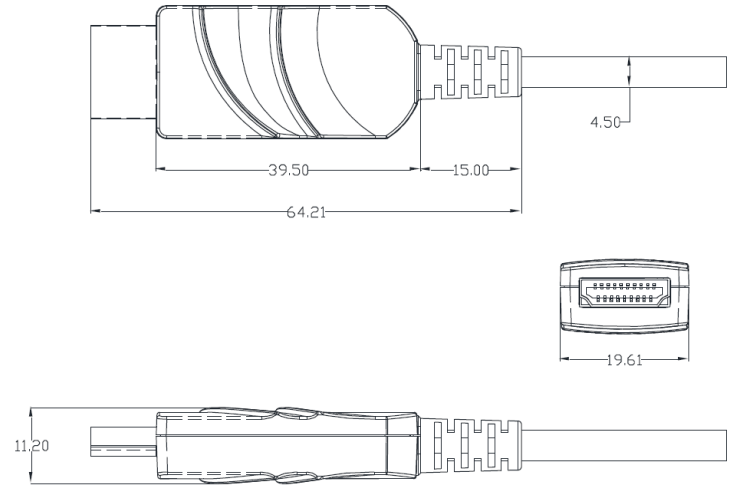
# HDMI 2.0 Active Optical Cable LHM2-NXXX

## Technical Features

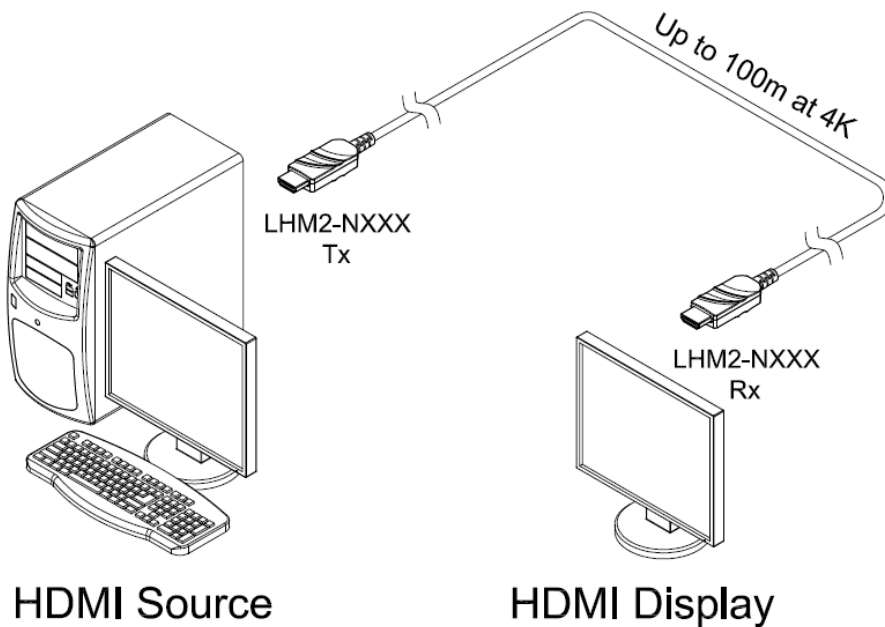
Resolution	Up to 4K(4096x2160) at 60Hz
Bit rate	Up to 6.0 Gbps/ch
Maximum distance	Up to 100m (328feet) @4K, 60Hz
Fiber	Hybrid Fiber with options for: Plenum, LSZH, TPU
Power supply	No External Power Needed
Typical Power consumption	0.26W
Size (LWH)	64.2 x 19.6 x 11.2mm
Operating temperature	0 ~ 50°C
Operating humidity	5 to 85% RH, non-condensing

## Dimension

64.2 x 19.6 x 11.2mm (LWH)



## Connection Diagram



### Optolinks

HQ Address  
46 Corporate Park #130  
Irvine, CA 92606  
949-701-4742  
[info@VigilLink.com](mailto:info@VigilLink.com)

*All contents are subject to be changed without prior notice.*